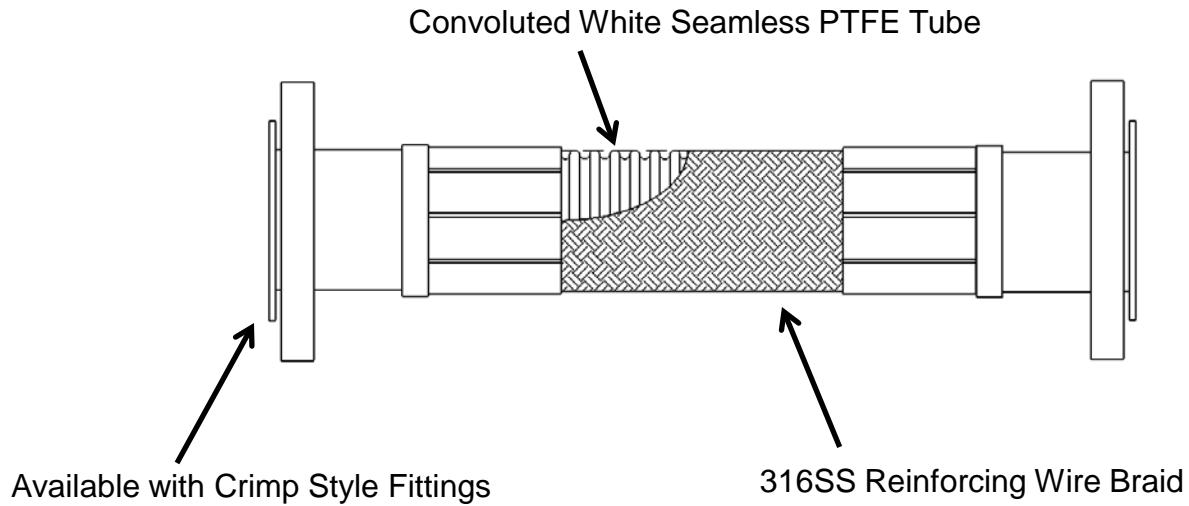




Convolutd Teflon Hose Model 6279



- Temperature Range -20 to 350°F
- Full Vacuum Rated

Pipe Size	Bend Radius (Inches)	Max Pressure (PSIG) @ 70°
1/2"	2	1425
3/4"	2.75	1300
1"	4	1100
1 1/2"	6	700
2"	7.5	525
3"	14	350
4"	16	275

Job _____

Contractor _____

Engineer _____

Representative _____

Order No. _____ Date _____

Submitted by _____

Approved by _____ Date _____

Tag _____

**THERMO
TECH I N C.**

287 South Santa Fe Drive
Denver, Colorado 80223
Phone (303) 698-9988
www.thermotechdenver.com

**Convolutd PTFE Assembly
Model 6279**