

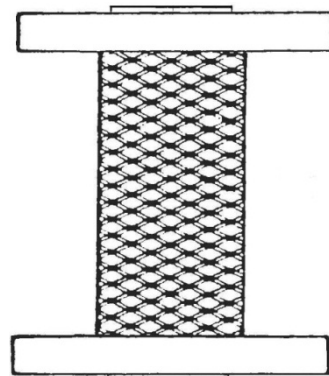
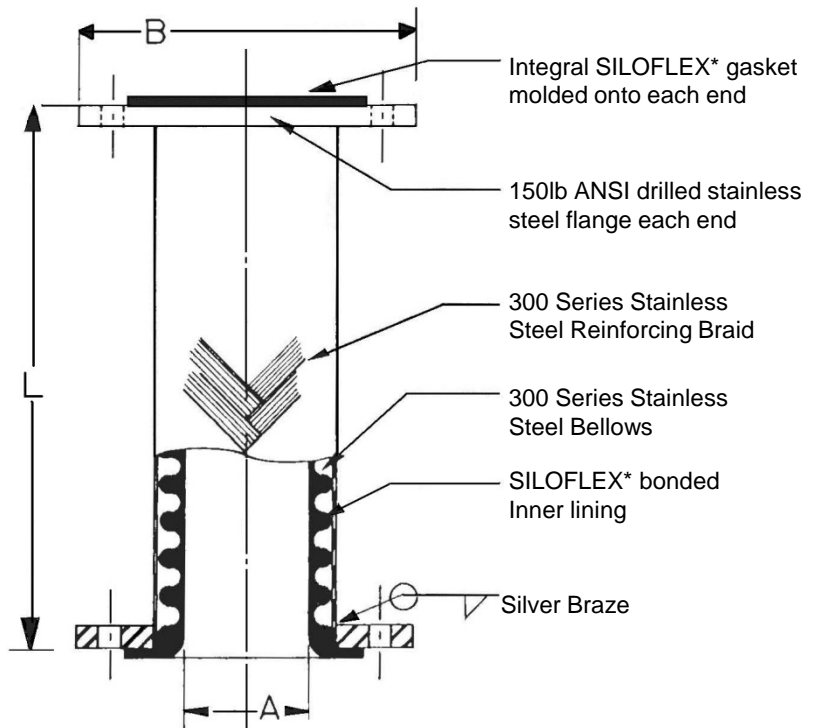


# Food Grade Flexible Connector Sanitary F/F/R *SILOFLEX\* Lined*

- SILOFLEX\* silicone rubber liner and integral gasket
- 300 series stainless steel convoluted bellows and wire braid
- Operating temperature of: -60° F to +300° F
- Working pressure of 150 PSIG, 300 PSIG available
- Interior surface is sanitary with no areas of entrapment

For food & beverage applications:  
(Sanitary Flex/Flo/R Model #1511)

- Food grade FDA SILOFLEX\* liner and integral gasket (sanitary braid cover available)
- 150# ANSI drilled T304 stainless steel flanged ends



NOMINAL PIPE SIZE	FLANGE DIAMETER	FLEX/FLO/R* LENGTH			
		A	B	L	
1 ½	5	6	12	18	
2	6	6	12	18	
2 ½	7	6	12	18	
3	7 ½	6	12	18	24
4	9	6	12	18	24
5	10	6	12	18	24
6	11	6	12	18	24
8	13 ½	6	12	18	24

Job \_\_\_\_\_

Contractor \_\_\_\_\_

Engineer \_\_\_\_\_

Representative \_\_\_\_\_

Order No. \_\_\_\_\_ Date \_\_\_\_\_

Submitted by \_\_\_\_\_

Approved by \_\_\_\_\_ Date \_\_\_\_\_

Tag \_\_\_\_\_

**THERMO  
TECH I N C.**

287 South Santa Fe Drive  
Denver, Colorado 80223  
Phone (303) 698-9988  
www.thermotechdenver.com

**Flexible Connector  
Type F/F/R (Flex/Flo/R)  
SILOFLEX\* Lined**