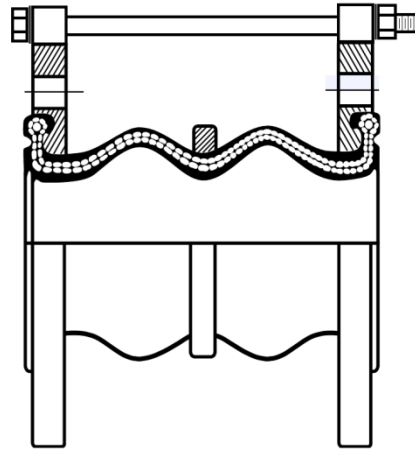
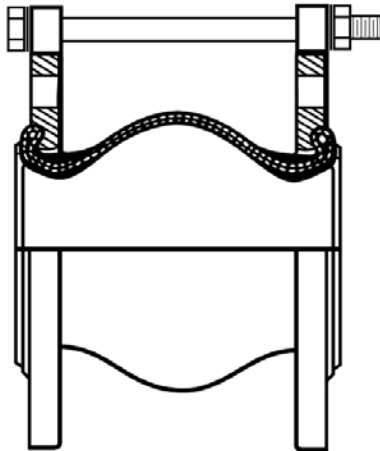




## No-Hassle Factory Installed Control Rods Sets



**No-Hassle factory installed control rod sets require no field attachment or labor-intensive fitting or bolting up to the piping system flanges. When the piping system is not anchored and supported, or if they are specified for an application, control rods must be installed on rubber connectors. Use our factory installed, labor saving, No-Hassle control rod sets for these installations.**

Job \_\_\_\_\_

Contractor \_\_\_\_\_

Engineer \_\_\_\_\_

Representative \_\_\_\_\_

Order No. \_\_\_\_\_ Date \_\_\_\_\_

Submitted by \_\_\_\_\_

Approved by \_\_\_\_\_ Date \_\_\_\_\_

Tag \_\_\_\_\_

**THERMO  
TECH I N C.**

287 South Santa Fe Drive  
 Denver, Colorado 80223  
 Phone (303) 698-9988  
[www.thermotechdenver.com](http://www.thermotechdenver.com)

**No Hassle Factory  
 Installed Control Rods**